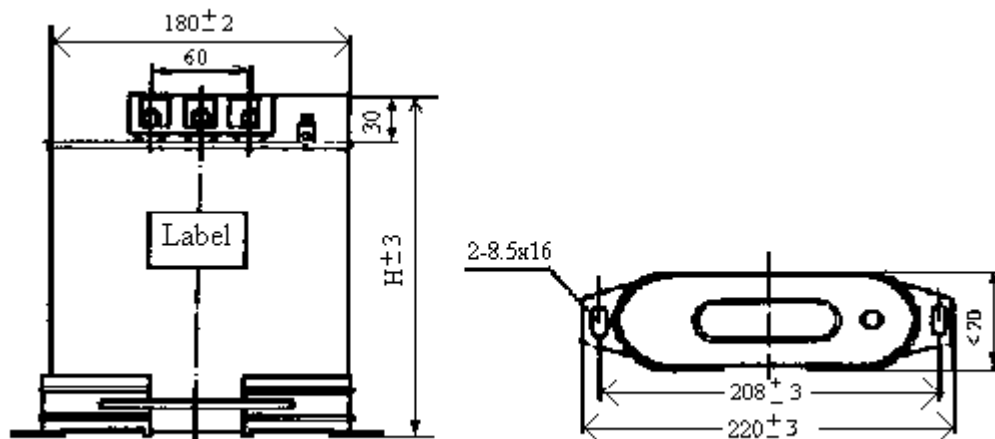


Technical Specifications	
Temperature Range	-25 to 45 °C
Rated Voltage	250V/400V/415V/440V/525V/660V
Rated Frequency	50 Hz
Dielectric Withstand Voltage	T - T: 1.75 x Rated Voltage, 10s T - C: 3000 VAC, 10s
Dielectric Voltage	T - T: 1.35 x Rated Voltage, 10s
Discharge Device	Below 50V within 3 min.
Maximum Voltage	1.1 x Rated Voltage
Maximum Current	1.3 x Rated Current
Capacitance Tolerance	≤ +10% 0 %
Dissipation Factor	Tan δ ≤ 0.15%



BCMJ3 Specifications						
Type	Rated Voltage KV	Rated Output KVar	Rated Capacitance μF	Rated Current A	H mm	Phase
0.4-10-3	0.4	≤10	199	14.4	150	3
0.4-12-3		12	239	17.3	190	3
0.4-14-3		14	279	20.2	190	3
0.4-15-3		15	299	21.6	200	3
0.4-16-3		16	318	23.1	210	3
0.4-18-3		18	358	26.0	230	3
0.4-20-3		20	398	28.9	230	3
0.415-10-3	0.415	≤10	185	13.9	150	3
0.415-12-3		12	222	16.7	190	3
0.415-14-3		14	259	19.5	190	3
0.415-15-3		15	277	20.9	200	3
0.415-16-3		16	296	22.3	210	3
0.415-20-3		20	370	27.8	230	3
0.44-10-3		0.44	≤10	165	13.1	150
0.44-12-3	12		197	15.7	190	3
0.44-14-3	14		231	18.3	190	3
0.44-15-3	15		246	19.7	200	3
0.44-16-3	16		263	21.0	210	3
0.44-20-3	20		329	26.2	230	3
0.525-12-1	0.525		12	139	22.9	240
0.66-12-1	0.66	12	87.7	18.2	240	1