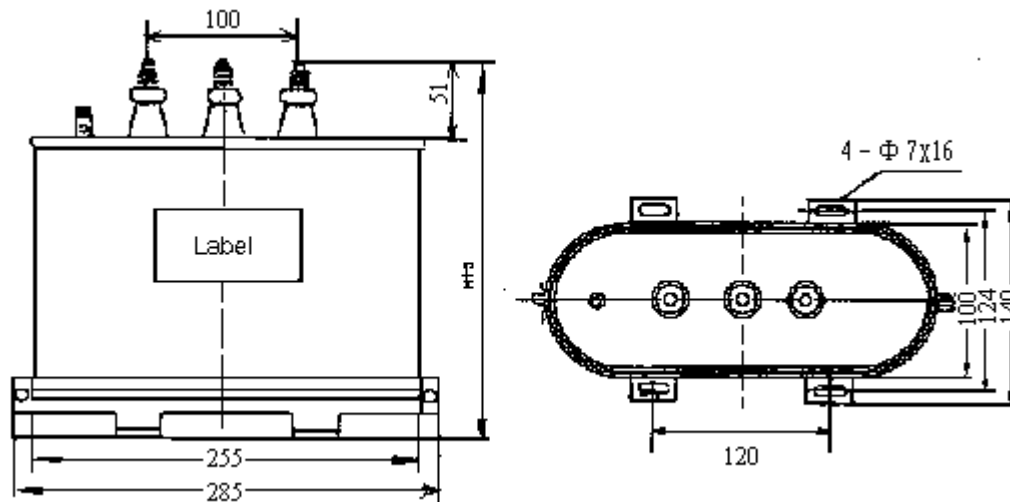


Low Voltage Shunt Capacitors of the Self-Healing Type

Technical Specifications	
Temperature Range	-25 to 45 °C
Rated Voltage	250V/400V/415V/440V/525V/660V
Rated Frequency	50 Hz
Dielectric Withstand Voltage	T - T: 1.75 x Rated Voltage, 10s T - C: 3000 VAC, 10s
Dielectric Voltage for End User	T - T: 1.35 x Rated Voltage, 10s T - C: 2250 VAC, 10s
Discharge Device	Below 50V within 3 min. after power is turned off
Maximum Voltage	1.1 x Rated Voltage
Maximum Current	1.3 x Rated Current
Capacitance Tolerance	≤ +10% 0 %
Dissipation Factor	Tan δ ≤ 0.15%



BCMJ5 Specifications						
Type	Rated Voltage KV	Rated Output KVar	Rated Capacitance μF	Rated Current A	H mm	Phase
0.4-25-3	0.4	25	498	36.1	215	3
0.4-30-3		30	597	43.3	235	3
0.4-40-3		40	796	57.7	255	3
0.415-25-3	0.415	25	462	34.8	215	3
0.415-30-3		30	554	41.7	235	3
0.415-40-3		40	739	55.6	255	3
0.44-25-3	0.44	25	411	32.8	215	3
0.44-30-3		30	493	39.4	235	3
0.44-40-3		40	658	52.5	255	3
0.525-15-1	0.525	15	173	28.6	215	1
0.525-20-1		20	231	38.1	235	1
0.525-25-1		25	289	47.6	275	1
0.66-15-1	0.66	15	109	22.7	235	1
0.66-20-1		20	146	30.3	255	1
0.66-25-1		25	183	37.9	275	1