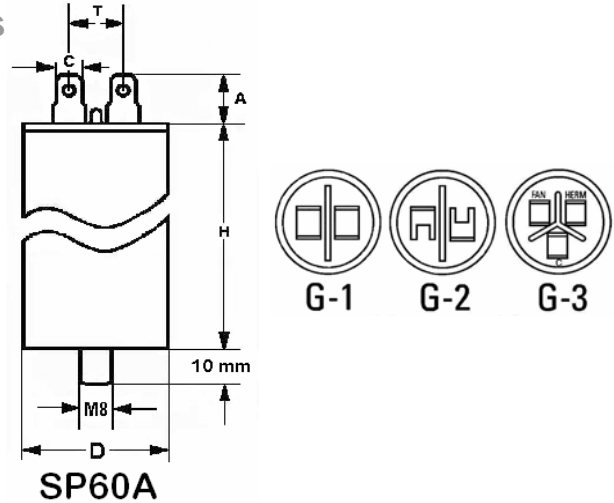


SP60-A

UL Listed; File No. E244490

Metallized Polypropylene Film A.C. Capacitors

Technical Specifications	
Temperature Range	-40 to 70 °C
Rated Voltage	250 to 500 VAC
Dielectric Withstand Voltage	T - T: 1.5 x Rated Voltage T - C: 2000 VAC
Capacitance Tolerance	±5%; ±10%
Insulation Resistance	T - T: ≥ 3000 MΩ/μF T - C: ≥ 1000 MΩ
Dissipation Factor	Tan δ ≤ 0.4% (50 Hz)



Outside Dimensions (mm)

SP60-A 280 VAC					
μF	D	H	A	C	T
	Inches (mm)	Inches (mm)	Inches (mm)	Inches (mm)	Inches (mm)
6	1.18 (30)	1.97 (50)	0.47 (12)	0.25 (6.3)	0.54 (13.6)
8	1.18 (30)	1.97 (50)	0.47 (12)	0.25 (6.3)	0.54 (13.6)
10	1.38 (35)	2.36 (60)	0.47 (12)	0.25 (6.3)	0.54 (13.6)
12	1.38 (35)	2.36 (60)	0.47 (12)	0.25 (6.3)	0.54 (13.6)
15	1.38 (35)	2.36 (60)	0.47 (12)	0.25 (6.3)	0.54 (13.6)
16	1.38 (35)	2.36 (60)	0.47 (12)	0.25 (6.3)	0.54 (13.6)
20	1.38 (35)	2.83 (72)	0.47 (12)	0.25 (6.3)	0.54 (13.6)
25	1.38 (35)	2.83 (72)	0.47 (12)	0.25 (6.3)	0.54 (13.6)
30	1.57 (40)	3.15 (80)	0.47 (12)	0.25 (6.3)	0.63 (16)
40	1.65 (42)	3.15 (80)	0.47 (12)	0.25 (6.3)	0.63 (16)
50	1.81 (46)	3.43 (87)	0.47 (12)	0.25 (6.3)	0.71 (18)
60	1.81 (46)	3.45 (85)	0.47 (12)	0.25 (6.3)	0.71 (18)
65	1.81 (46)	4.33 (110)	0.47 (12)	0.25 (6.3)	0.71 (18)
80	1.81 (46)	5.13 (130)	0.47 (12)	0.25 (6.3)	0.71 (18)

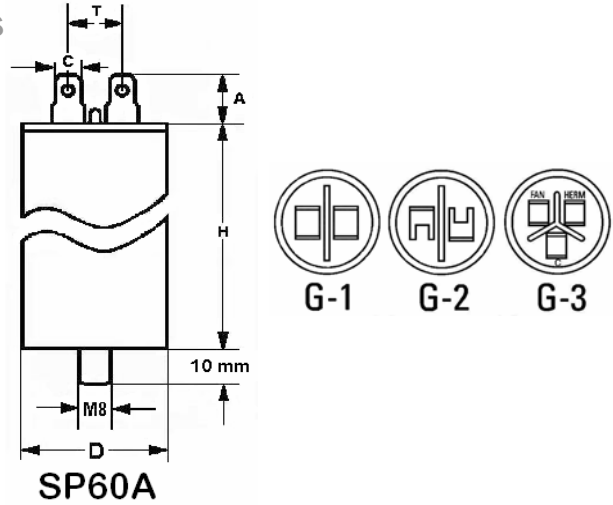
SP60-A 370 VAC					
μF	D	H	A	C	T
	Inches (mm)	Inches (mm)	Inches (mm)	Inches (mm)	Inches (mm)
4	1.18 (30)	1.97 (50)	0.47 (12)	0.25 (6.3)	0.54 (13.6)
5	1.18 (30)	1.97 (50)	0.47 (12)	0.25 (6.3)	0.54 (13.6)
6	1.18 (30)	1.97 (50)	0.47 (12)	0.25 (6.3)	0.54 (13.6)
8	1.38 (35)	2.36 (60)	0.47 (12)	0.25 (6.3)	0.54 (13.6)
10	1.38 (35)	2.36 (60)	0.47 (12)	0.25 (6.3)	0.54 (13.6)
12	1.38 (35)	2.36 (60)	0.47 (12)	0.25 (6.3)	0.54 (13.6)
15	1.38 (35)	2.83 (72)	0.47 (12)	0.25 (6.3)	0.54 (13.6)
20	1.57 (40)	3.15 (80)	0.47 (12)	0.25 (6.3)	0.63 (16)
30	1.65 (42)	3.15 (80)	0.47 (12)	0.25 (6.3)	0.63 (16)
40	1.81 (46)	3.54 (90)	0.47 (12)	0.25 (6.3)	0.71 (18)

SP60-A

UL Listed; File No. E244490

Metallized Polypropylene Film A.C. Capacitors

Technical Specifications	
Temperature Range	-40 to 70 °C
Rated Voltage	250 to 500 VAC
Dielectric Withstand Voltage	T - T: 1.5 x Rated Voltage T - C: 2000 VAC
Capacitance Tolerance	±5%; ±10%
Insulation Resistance	T - T: ≥ 3000 MΩ/μF T - C: ≥ 1000 MΩ
Dissipation Factor	Tan δ ≤ 0.4% (50 Hz)



Outside Dimensions (mm)

SP60-A 440 VAC					
μF	D	H	A	C	T
	Inches (mm)	Inches (mm)	Inches (mm)	Inches (mm)	Inches (mm)
1.5	1.18 (30)	1.97 (50)	0.47 (12)	0.25 (6.3)	0.54 (13.6)
3	1.18 (30)	1.97 (50)	0.47 (12)	0.25 (6.3)	0.54 (13.6)
4	1.18 (30)	1.97 (50)	0.47 (12)	0.25 (6.3)	0.54 (13.6)
5	1.38 (35)	2.36 (60)	0.47 (12)	0.25 (6.3)	0.54 (13.6)
6	1.38 (35)	2.36 (60)	0.47 (12)	0.25 (6.3)	0.54 (13.6)
8	1.38 (35)	2.36 (60)	0.47 (12)	0.25 (6.3)	0.54 (13.6)
10	1.38 (35)	2.83 (72)	0.47 (12)	0.25 (6.3)	0.54 (13.6)
12	1.38 (35)	2.83 (72)	0.47 (12)	0.25 (6.3)	0.54 (13.6)
14	1.65 (42)	3.15 (80)	0.47 (12)	0.25 (6.3)	0.63 (16)
15	1.65 (42)	3.15 (80)	0.47 (12)	0.25 (6.3)	0.63 (16)
16	1.65 (42)	3.15 (80)	0.47 (12)	0.25 (6.3)	0.63 (16)
18	1.65 (42)	3.15 (80)	0.47 (12)	0.25 (6.3)	0.63 (16)
20	1.65 (42)	3.15 (80)	0.47 (12)	0.25 (6.3)	0.63 (16)
30	1.81 (46)	4.33 (110)	0.47 (12)	0.25 (6.3)	0.70 (17.8)
35	1.81 (46)	4.33 (110)	0.47 (12)	0.25 (6.3)	0.70 (17.8)
40	1.81 (46)	5.13 (130)	0.47 (12)	0.25 (6.3)	0.70 (17.8)
50	2.17 (55)	5.13 (130)	0.47 (12)	0.25 (6.3)	0.85 (21.5)
60	2.17 (55)	5.13 (130)	0.47 (12)	0.25 (6.3)	0.85 (21.5)

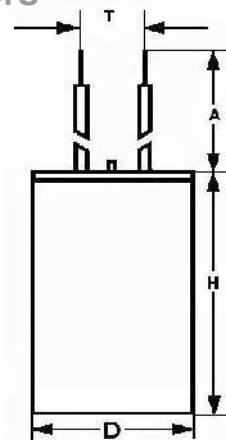
SP60-B

UL Listed; File No. E244490

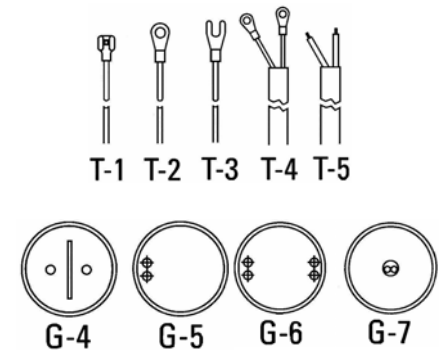
Metallized Polypropylene Film A.C. Capacitors

Technical Specifications

Temperature Range	-40 to 70 °C
Rated Voltage	250 to 500 VAC
Dielectric Withstand Voltage	T - T: 1.5 x Rated Voltage T - C: 2000 VAC
Capacitance Tolerance	±5%; ±10%
Insulation Resistance	T - T: ≥ 3000 MΩ/μF T - C: ≥ 1000 MΩ
Dissipation Factor	Tan δ ≤ 0.4% (50 Hz)



SP60B



Outside Dimensions (mm)

SP60-B 280VAC

μF	D	H	A	T
	Inches (mm)	Inches (mm)	Inches (mm)	Inches (mm)
6	1.18 (30)	1.65 (42)	4.72 (120)	0.54 (13.6)
8	1.18 (30)	1.97 (50)	3.94 (100)	0.54 (13.6)
10	1.18 (30)	2.20 (56)	3.94 (100)	0.54 (13.6)
12	1.18 (30)	2.36 (60)	3.94 (100)	0.54 (13.6)
15	1.18 (30)	2.36 (60)	3.94 (100)	0.54 (13.6)
16	1.18 (30)	2.36 (60)	3.94 (100)	0.54 (13.6)
20	1.38 (35)	2.36 (60)	3.94 (100)	0.54 (13.6)
25	1.38 (35)	2.56 (65)	3.94 (100)	0.54 (13.6)
30	1.57 (40)	2.36 (60)	3.94 (100)	0.63 (16)
40	1.65 (42)	3.07 (78)	5.91 (150)	0.63 (16)
50	1.65 (42)	3.07 (78)	5.91 (150)	0.63 (16)
60	1.81 (46)	3.15 (80)	5.91 (150)	0.63 (16)
65	1.97 (50)	3.15 (80)	5.91 (150)	0.63 (16)
80	1.81 (46)	5.13 (130)	5.91 (150)	0.71 (18)

SP60-B 370 VAC

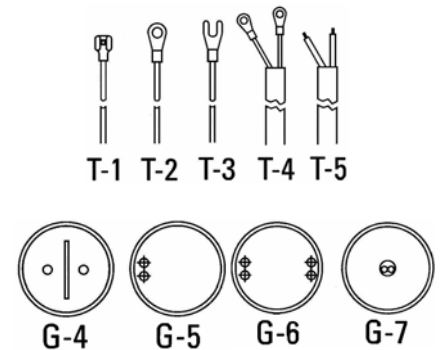
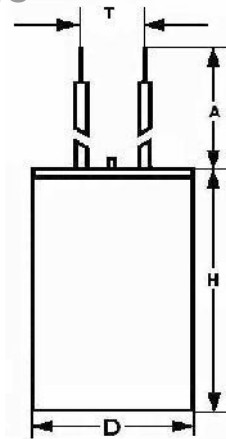
μF	D	H	A	T
	Inches (mm)	Inches (mm)	Inches (mm)	Inches (mm)
4	0.98 (25)	1.97 (50)	3.94 (100)	0.35 (9)
5	0.98 (25)	1.97 (50)	3.94 (100)	0.35 (9)
6	1.18 (30)	1.97 (50)	3.94 (100)	0.54 (13.6)
8	1.18 (30)	2.36 (60)	3.94 (100)	0.54 (13.6)
10	1.18 (30)	2.68 (68)	3.94 (100)	0.54 (13.6)
12	1.38 (35)	2.36 (60)	3.94 (100)	0.54 (13.6)
15	1.38 (35)	2.76 (70)	3.94 (100)	0.54 (13.6)
20	1.57 (40)	2.56 (65)	3.94 (100)	0.63 (16)
30	1.65 (42)	3.15 (80)	3.94 (100)	0.63 (16)
40	1.81 (46)	3.45 (85)	3.94 (100)	0.71 (18)

SP60-B

UL Listed; File No. E244490

Metallized Polypropylene Film A.C. Capacitors

Technical Specifications	
Temperature Range	-40 to 70 °C
Rated Voltage	250 to 500 VAC
Dielectric Withstand Voltage	T – T: 1.5 x Rated Voltage T – C: 2000 VAC
Capacitance Tolerance	±5%; ±10%
Insulation Resistance	T – T: ≥ 3000 MΩ/μF T – C: ≥ 1000 MΩ
Dissipation Factor	Tan δ ≤ 0.4% (50 Hz)



SP60B

Outside Dimensions (mm)

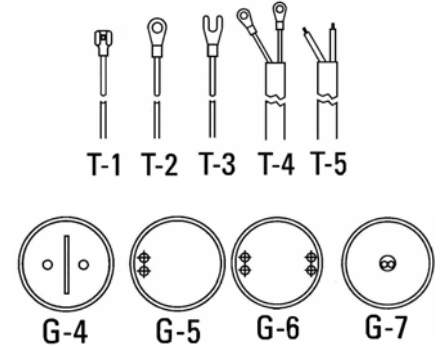
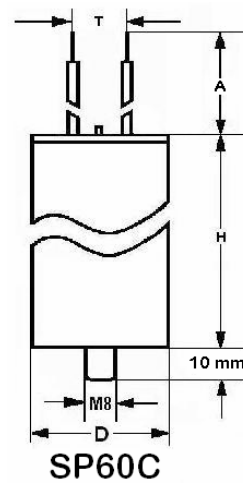
SP60-B 440 VAC				
μF	D	H	A	T
	Inches (mm)	Inches (mm)	Inches (mm)	Inches (mm)
1.5	0.98 (25)	2.17 (55)	3.94 (100)	0.35 (9)
3	0.98 (25)	2.17 (55)	3.94 (100)	0.35 (9)
4	0.98 (25)	2.17 (55)	3.94 (100)	0.35 (9)
5	1.38 (35)	2.36 (60)	3.94 (100)	0.54 (13.6)
6	1.38 (35)	2.36 (60)	3.94 (100)	0.54 (13.6)
8	1.38 (35)	2.36 (60)	3.94 (100)	0.54 (13.6)
10	1.38 (35)	2.76 (70)	3.94 (100)	0.54 (13.6)
12	1.38 (35)	2.76 (70)	3.94 (100)	0.54 (13.6)
14	1.57 (40)	2.56 (65)	3.94 (100)	0.63 (16)
15	1.57 (40)	2.56 (65)	3.94 (100)	0.63 (16)
16	1.57 (40)	3.15 (80)	5.91 (150)	0.63 (16)
18	1.65 (42)	3.15 (80)	5.91 (150)	0.63 (16)
20	1.65 (42)	3.15 (80)	5.91 (150)	0.63 (16)
30	1.81 (46)	4.33 (110)	5.91 (150)	0.71 (18)
35	1.81 (46)	4.33 (110)	5.91 (150)	0.71 (18)
40	1.81 (46)	5.13 (130)	5.91 (150)	0.71 (18)
50	2.17 (55)	5.13 (130)	5.91 (150)	0.85 (21.5)
60	2.17 (55)	5.13 (130)	5.91 (150)	0.85 (21.5)

SP60-C

UL Listed; File No. E244490

Metallized Polypropylene Film A.C. Capacitors

Technical Specifications	
Temperature Range	-40 to 70 °C
Rated Voltage	250 to 500 VAC
Dielectric Withstand Voltage	T - T: 1.5 x Rated Voltage T - C: 2000 VAC
Capacitance Tolerance	±5%; ±10%
Insulation Resistance	T - T: ≥ 3000 MΩ/μF T - C: ≥ 1000 MΩ
Dissipation Factor	Tan δ ≤ 0.4% (50 Hz)



Outside Dimensions (mm)

SP60-C 280VAC				
μF	D	H	A	T
	Inches (mm)	Inches (mm)	Inches (mm)	Inches (mm)
6	1.18 (30)	1.65 (42)	4.72 (120)	0.54 (13.6)
8	1.18 (30)	1.97 (50)	3.94 (100)	0.54 (13.6)
10	1.18 (30)	2.20 (56)	3.94 (100)	0.54 (13.6)
12	1.18 (30)	2.36 (60)	3.94 (100)	0.54 (13.6)
15	1.18 (30)	2.36 (60)	3.94 (100)	0.54 (13.6)
16	1.18 (30)	2.36 (60)	3.94 (100)	0.54 (13.6)
20	1.38 (35)	2.36 (60)	3.94 (100)	0.54 (13.6)
25	1.38 (35)	2.56 (65)	3.94 (100)	0.54 (13.6)
30	1.57 (40)	2.36 (60)	3.94 (100)	0.63 (16)
40	1.65 (42)	3.07 (78)	5.91 (150)	0.63 (16)
50	1.65 (42)	3.07 (78)	5.91 (150)	0.63 (16)
60	1.81 (46)	3.15 (80)	5.91 (150)	0.63 (16)
65	1.97 (50)	3.15 (80)	5.91 (150)	0.63 (16)
80	1.81 (46)	5.13 (130)	5.91 (150)	0.71 (18)

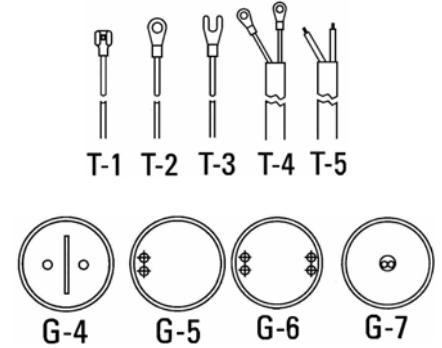
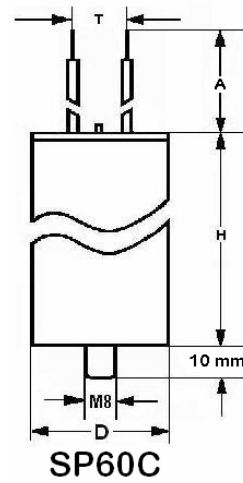
SP60-C 370 VAC				
μF	D	H	A	T
	Inches (mm)	Inches (mm)	Inches (mm)	Inches (mm)
4	0.98 (25)	1.97 (50)	3.94 (100)	0.35 (9)
5	0.98 (25)	1.97 (50)	3.94 (100)	0.35 (9)
6	1.18 (30)	1.97 (50)	3.94 (100)	0.54 (13.6)
8	1.18 (30)	2.36 (60)	3.94 (100)	0.54 (13.6)
10	1.18 (30)	2.68 (68)	3.94 (100)	0.54 (13.6)
12	1.38 (35)	2.36 (60)	3.94 (100)	0.54 (13.6)
15	1.38 (35)	2.76 (70)	3.94 (100)	0.54 (13.6)
20	1.57 (40)	2.56 (65)	3.94 (100)	0.63 (16)
30	1.65 (42)	3.15 (80)	3.94 (100)	0.63 (16)
40	1.81 (46)	3.45 (85)	3.94 (100)	0.71 (18)

SP60-C

UL Listed; File No. E244490

Metallized Polypropylene Film A.C. Capacitors

Technical Specifications	
Temperature Range	-40 to 70 °C
Rated Voltage	250 to 500 VAC
Dielectric Withstand Voltage	T – T: 1.5 x Rated Voltage T – C: 2000 VAC
Capacitance Tolerance	±5%; ±10%
Insulation Resistance	T – T: ≥ 3000 MΩ/μF T – C: ≥ 1000 MΩ
Dissipation Factor	Tan δ ≤ 0.4% (50 Hz)



Outside Dimensions (mm)

SP60-C 440 VAC				
μF	D	H	A	T
	Inches (mm)	Inches (mm)	Inches (mm)	Inches (mm)
1.5	0.98 (25)	2.17 (55)	3.94 (100)	0.35 (9)
3	0.98 (25)	2.17 (55)	3.94 (100)	0.35 (9)
4	0.98 (25)	2.17 (55)	3.94 (100)	0.35 (9)
5	1.38 (35)	2.36 (60)	3.94 (100)	0.54 (13.6)
6	1.38 (35)	2.36 (60)	3.94 (100)	0.54 (13.6)
8	1.38 (35)	2.36 (60)	3.94 (100)	0.54 (13.6)
10	1.38 (35)	2.76 (70)	3.94 (100)	0.54 (13.6)
12	1.38 (35)	2.76 (70)	3.94 (100)	0.54 (13.6)
14	1.57 (40)	2.56 (65)	3.94 (100)	0.63 (16)
15	1.57 (40)	2.56 (65)	3.94 (100)	0.63 (16)
16	1.57 (40)	3.15 (80)	5.91 (150)	0.63 (16)
18	1.65 (42)	3.15 (80)	5.91 (150)	0.63 (16)
20	1.65 (42)	3.15 (80)	5.91 (150)	0.63 (16)
30	1.81 (46)	4.33 (110)	5.91 (150)	0.71 (18)
35	1.81 (46)	4.33 (110)	5.91 (150)	0.71 (18)
40	1.81 (46)	5.13 (130)	5.91 (150)	0.71 (18)
50	2.17 (55)	5.13 (130)	5.91 (150)	0.85 (21.5)
60	2.17 (55)	5.13 (130)	5.91 (150)	0.85 (21.5)

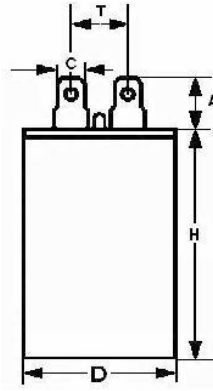
SP60-D

UL Listed; File No. E244490

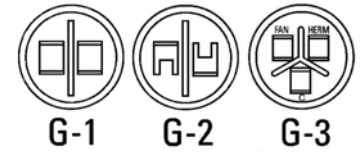
Metallized Polypropylene Film A.C. Capacitors

Technical Specifications

Temperature Range	-40 to 70 °C
Rated Voltage	250 to 500 VAC
Dielectric Withstand Voltage	T - T: 1.5 x Rated Voltage T - C: 2000 VAC
Capacitance Tolerance	±5%; ±10%
Insulation Resistance	T - T: ≥ 3000 MΩ/μF T - C: ≥ 1000 MΩ
Dissipation Factor	Tan δ ≤ 0.4% (50 Hz)



SP60D



Outside Dimensions (mm)

SP60-D 280 VAC

μF	D	H	A	C	T
	Inches (mm)	Inches (mm)	Inches (mm)	Inches (mm)	Inches (mm)
6	1.18 (30)	1.97 (50)	0.47 (12)	0.25 (6.3)	0.54 (13.6)
8	1.18 (30)	1.97 (50)	0.47 (12)	0.25 (6.3)	0.54 (13.6)
10	1.38 (35)	2.36 (60)	0.47 (12)	0.25 (6.3)	0.54 (13.6)
12	1.38 (35)	2.36 (60)	0.47 (12)	0.25 (6.3)	0.54 (13.6)
15	1.38 (35)	2.36 (60)	0.47 (12)	0.25 (6.3)	0.54 (13.6)
16	1.38 (35)	2.36 (60)	0.47 (12)	0.25 (6.3)	0.54 (13.6)
20	1.38 (35)	2.83 (72)	0.47 (12)	0.25 (6.3)	0.54 (13.6)
25	1.38 (35)	2.83 (72)	0.47 (12)	0.25 (6.3)	0.54 (13.6)
30	1.57 (40)	3.15 (80)	0.47 (12)	0.25 (6.3)	0.63 (16)
40	1.65 (42)	3.15 (80)	0.47 (12)	0.25 (6.3)	0.63 (16)
50	1.81 (46)	3.43 (87)	0.47 (12)	0.25 (6.3)	0.71 (18)
60	1.81 (46)	3.45 (85)	0.47 (12)	0.25 (6.3)	0.71 (18)
65	1.81 (46)	4.33 (110)	0.47 (12)	0.25 (6.3)	0.71 (18)
80	1.81 (46)	5.13 (130)	0.47 (12)	0.25 (6.3)	0.71 (18)

SP60-D 370 VAC

μF	D	H	A	C	T
	Inches (mm)	Inches (mm)	Inches (mm)	Inches (mm)	Inches (mm)
4	1.18 (30)	1.97 (50)	0.47 (12)	0.25 (6.3)	0.54 (13.6)
5	1.18 (30)	1.97 (50)	0.47 (12)	0.25 (6.3)	0.54 (13.6)
6	1.18 (30)	1.97 (50)	0.47 (12)	0.25 (6.3)	0.54 (13.6)
8	1.38 (35)	2.36 (60)	0.47 (12)	0.25 (6.3)	0.54 (13.6)
10	1.38 (35)	2.36 (60)	0.47 (12)	0.25 (6.3)	0.54 (13.6)
12	1.38 (35)	2.36 (60)	0.47 (12)	0.25 (6.3)	0.54 (13.6)
15	1.38 (35)	2.83 (72)	0.47 (12)	0.25 (6.3)	0.54 (13.6)
20	1.57 (40)	3.15 (80)	0.47 (12)	0.25 (6.3)	0.63 (16)
30	1.65 (42)	3.15 (80)	0.47 (12)	0.25 (6.3)	0.63 (16)
40	1.81 (46)	3.54 (90)	0.47 (12)	0.25 (6.3)	0.71 (18)

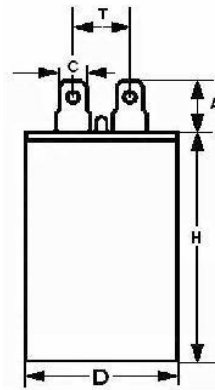
SP60-D

UL Listed; File No. E244490

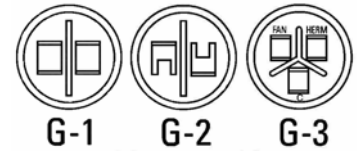
Metallized Polypropylene Film A.C. Capacitors

Technical Specifications

Temperature Range	-40 to 70 °C
Rated Voltage	250 to 500 VAC
Dielectric Withstand Voltage	T - T: 1.5 x Rated Voltage T - C: 2000 VAC
Capacitance Tolerance	±5%; ±10%
Insulation Resistance	T - T: ≥ 3000 MΩ/μF T - C: ≥ 1000 MΩ
Dissipation Factor	Tan δ ≤ 0.4% (50 Hz)



SP60D



Outside Dimensions (mm)

SP60-D 440 VAC

μF	D	H	A	C	T
	Inches (mm)	Inches (mm)	Inches (mm)	Inches (mm)	Inches (mm)
1.5	1.18 (30)	1.97 (50)	0.47 (12)	0.25 (6.3)	0.54 (13.6)
3	1.18 (30)	1.97 (50)	0.47 (12)	0.25 (6.3)	0.54 (13.6)
4	1.18 (30)	1.97 (50)	0.47 (12)	0.25 (6.3)	0.54 (13.6)
5	1.38 (35)	2.36 (60)	0.47 (12)	0.25 (6.3)	0.54 (13.6)
6	1.38 (35)	2.36 (60)	0.47 (12)	0.25 (6.3)	0.54 (13.6)
8	1.38 (35)	2.36 (60)	0.47 (12)	0.25 (6.3)	0.54 (13.6)
10	1.38 (35)	2.83 (72)	0.47 (12)	0.25 (6.3)	0.54 (13.6)
12	1.38 (35)	2.83 (72)	0.47 (12)	0.25 (6.3)	0.54 (13.6)
14	1.65 (42)	3.15 (80)	0.47 (12)	0.25 (6.3)	0.63 (16)
15	1.65 (42)	3.15 (80)	0.47 (12)	0.25 (6.3)	0.63 (16)
16	1.65 (42)	3.15 (80)	0.47 (12)	0.25 (6.3)	0.63 (16)
18	1.65 (42)	3.15 (80)	0.47 (12)	0.25 (6.3)	0.63 (16)
20	1.65 (42)	3.15 (80)	0.47 (12)	0.25 (6.3)	0.63 (16)
30	1.81 (46)	4.33 (110)	0.47 (12)	0.25 (6.3)	0.70 (17.8)
35	1.81 (46)	4.33 (110)	0.47 (12)	0.25 (6.3)	0.70 (17.8)
40	1.81 (46)	5.13 (130)	0.47 (12)	0.25 (6.3)	0.70 (17.8)
50	2.17 (55)	5.13 (130)	0.47 (12)	0.25 (6.3)	0.85 (21.5)
60	2.17 (55)	5.13 (130)	0.47 (12)	0.25 (6.3)	0.85 (21.5)