

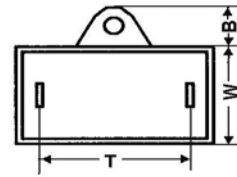
# SP61-A

UL Listed, File No. E244490

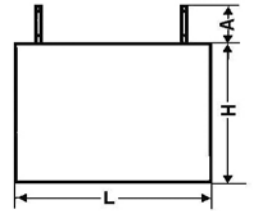
## Metallized Polypropylene Film A.C. Capacitors

### Technical Specification

Temperature Range	-40 to 70 °C
Rated Voltage	200 to 600 VAC
Dielectric Withstand Voltage	T - T: 1.75 x Rated Voltage T - C: 2000 VAC
Capacitance Tolerance	±5%; ±10%
Insulation Resistance	T - T: ≥3000 MΩ/μF T - C: ≥1000 MΩ
Dissipation Factor	Tan δ ≤ 0.2% (50 Hz)



SP61-A



### Outside Dimensions (mm)

SP61-A 280VAC						
μF	L	W	H	B	T	A
	Inches (mm)	Inches (mm)	Inches (mm)	Inches (mm)	Inches (mm)	Inches (mm)
4	1.50 (38)	0.71 (18)	1.10 (28)	0.43 (11)	1.18 (30)	0.35 (9)
6	1.46 (37)	0.55 (14)	1.02 (26)	0.43 (11)	1.18 (30)	0.35 (9)
8	1.50 (38)	0.71 (18)	1.10 (28)	0.43 (11)	1.18 (30)	0.35 (9)
10	1.46 (37)	0.78 (20)	1.22 (31)	0.43 (11)	1.18 (30)	0.35 (9)
12	1.85 (47)	0.85 (22)	1.34 (34)	0.43 (11)	1.57 (40)	0.35 (9)
15	1.85 (47)	1.02 (26)	1.50 (38)	0.43 (11)	1.57 (40)	0.35 (9)

SP61-A 370VAC						
μF	L	W	H	B	T	A
	Inches (mm)	Inches (mm)	Inches (mm)	Inches (mm)	Inches (mm)	Inches (mm)
2	1.50 (38)	0.71 (18)	1.10 (28)	0.43 (11)	1.18 (30)	0.35 (9)
3	1.46 (37)	0.78 (20)	1.22 (31)	0.43 (11)	1.18 (30)	0.35 (9)
4	1.46 (37)	0.78 (20)	1.22 (31)	0.43 (11)	1.18 (30)	0.35 (9)
6	1.85 (47)	0.85 (22)	1.34 (34)	0.43 (11)	1.57 (40)	0.35 (9)
8	1.85 (47)	0.85 (22)	1.34 (34)	0.43 (11)	1.57 (40)	0.35 (9)
10	1.85 (47)	1.02 (26)	1.50 (38)	0.43 (11)	1.57 (40)	0.35 (9)
15	2.25 (57)	1.10 (28)	1.61 (41)	0.43 (11)	1.97 (50)	0.35 (9)
20	2.25 (57)	1.18 (30)	1.73 (44)	0.43 (11)	1.97 (50)	0.35 (9)

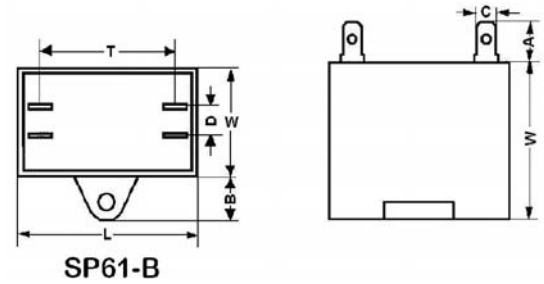
SP61-A 440VAC						
μF	L	W	H	B	T	A
	Inches (mm)	Inches (mm)	Inches (mm)	Inches (mm)	Inches (mm)	Inches (mm)
0.5	1.46 (37)	0.55 (14)	1.02 (26)	0.43 (11)	1.18 (30)	0.35 (9)
1	1.50 (38)	0.71 (18)	1.10 (28)	0.43 (11)	1.18 (30)	0.35 (9)
1.5	1.50 (38)	0.71 (18)	1.10 (28)	0.43 (11)	1.18 (30)	0.35 (9)
2	1.50 (38)	0.71 (18)	1.10 (28)	0.43 (11)	1.18 (30)	0.35 (9)
2.5	1.50 (38)	0.71 (18)	1.10 (28)	0.43 (11)	1.18 (30)	0.35 (9)
4	1.85 (47)	0.85 (22)	1.34 (34)	0.43 (11)	1.57 (40)	0.35 (9)
5	1.85 (47)	1.02 (26)	1.50 (38)	0.43 (11)	1.57 (40)	0.35 (9)
6	1.85 (47)	1.02 (26)	1.50 (38)	0.43 (11)	1.57 (40)	0.35 (9)
7	1.85 (47)	1.02 (26)	1.50 (38)	0.43 (11)	1.57 (40)	0.35 (9)
8	1.85 (47)	1.02 (26)	1.50 (38)	0.43 (11)	1.57 (40)	0.35 (9)
10	2.25 (57)	1.10 (28)	1.61 (41)	0.43 (11)	1.97 (50)	0.35 (9)
12	2.25 (57)	1.10 (28)	1.61 (41)	0.43 (11)	1.97 (50)	0.35 (9)

# SP61-B

UL Listed, File No. E244490

## Metallized Polypropylene Film A.C. Capacitors

Technical Specification	
Temperature Range	-40 to 70 °C
Rated Voltage	200 to 600 VAC
Dielectric Withstand Voltage	T - T: 1.75 x Rated Voltage T - C: 2000 VAC
Capacitance Tolerance	±5%; ±10%
Insulation Resistance	T - T: ≥3000 MΩ/μF T - C: ≥1000 MΩ
Dissipation Factor	Tan δ ≤ 0.2% (50 Hz)



### Outside Dimensions (mm)

SP61-B 280VAC								
μF	L Inches (mm)	W Inches (mm)	H Inches (mm)	B Inches (mm)	T Inches (mm)	A Inches (mm)	C Inches (mm)	D Inches (mm)
4	1.50 (38)	0.71 (18)	1.10 (28)	0.43 (11)	1.18 (30)	0.35 (9)	0.19 (4.8)	0.20 (5)
6	1.46 (37)	0.55 (14)	1.02 (26)	0.43 (11)	1.18 (30)	0.35 (9)	0.19 (4.8)	0.20 (5)
8	1.50 (38)	0.71 (18)	1.10 (28)	0.43 (11)	1.18 (30)	0.35 (9)	0.19 (4.8)	0.20 (5)
10	1.46 (37)	0.78 (20)	1.22 (31)	0.43 (11)	1.18 (30)	0.35 (9)	0.19 (4.8)	0.20 (5)
12	1.85 (47)	0.85 (22)	1.34 (34)	0.43 (11)	1.57 (40)	0.35 (9)	0.19 (4.8)	0.20 (5)
15	1.85 (47)	1.02 (26)	1.50 (38)	0.43 (11)	1.57 (40)	0.35 (9)	0.19 (4.8)	0.20 (5)

SP61-B 370VAC								
μF	L Inches (mm)	W Inches (mm)	H Inches (mm)	B Inches (mm)	T Inches (mm)	A Inches (mm)	C Inches (mm)	D Inches (mm)
2	1.50 (38)	0.71 (18)	1.10 (28)	0.43 (11)	1.18 (30)	0.35 (9)	0.19 (4.8)	0.20 (5)
3	1.46 (37)	0.78 (20)	1.22 (31)	0.43 (11)	1.18 (30)	0.35 (9)	0.19 (4.8)	0.20 (5)
4	1.46 (37)	0.78 (20)	1.22 (31)	0.43 (11)	1.18 (30)	0.35 (9)	0.19 (4.8)	0.20 (5)
6	1.85 (47)	0.85 (22)	1.34 (34)	0.43 (11)	1.57 (40)	0.35 (9)	0.19 (4.8)	0.20 (5)
8	1.85 (47)	0.85 (22)	1.34 (34)	0.43 (11)	1.57 (40)	0.35 (9)	0.19 (4.8)	0.20 (5)
10	1.85 (47)	1.02 (26)	1.50 (38)	0.43 (11)	1.57 (40)	0.35 (9)	0.19 (4.8)	0.20 (5)
15	2.25 (57)	1.10 (28)	1.61 (41)	0.43 (11)	1.97 (50)	0.35 (9)	0.25 (6.3)	0.30 (7.5)
20	2.25 (57)	1.18 (30)	1.73 (44)	0.43 (11)	1.97 (50)	0.35 (9)	0.25 (6.3)	0.30 (7.5)

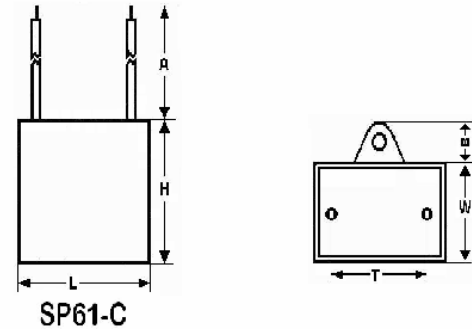
SP61-B 440VAC								
μF	L Inches (mm)	W Inches (mm)	H Inches (mm)	B Inches (mm)	T Inches (mm)	A Inches (mm)	C Inches (mm)	D Inches (mm)
0.5	1.46 (37)	0.55 (14)	1.02 (26)	0.43 (11)	1.18 (30)	0.35 (9)	0.19 (4.8)	0.20 (5)
1	1.50 (38)	0.71 (18)	1.10 (28)	0.43 (11)	1.18 (30)	0.35 (9)	0.19 (4.8)	0.20 (5)
1.5	1.50 (38)	0.71 (18)	1.10 (28)	0.43 (11)	1.18 (30)	0.35 (9)	0.19 (4.8)	0.20 (5)
2	1.50 (38)	0.71 (18)	1.10 (28)	0.43 (11)	1.18 (30)	0.35 (9)	0.19 (4.8)	0.20 (5)
2.5	1.50 (38)	0.71 (18)	1.10 (28)	0.43 (11)	1.18 (30)	0.35 (9)	0.19 (4.8)	0.20 (5)
4	1.85 (47)	0.85 (22)	1.34 (34)	0.43 (11)	1.57 (40)	0.35 (9)	0.19 (4.8)	0.20 (5)
5	1.85 (47)	1.02 (26)	1.50 (38)	0.43 (11)	1.57 (40)	0.35 (9)	0.19 (4.8)	0.20 (5)
6	1.85 (47)	1.02 (26)	1.50 (38)	0.43 (11)	1.57 (40)	0.35 (9)	0.19 (4.8)	0.20 (5)
7	1.85 (47)	1.02 (26)	1.50 (38)	0.43 (11)	1.57 (40)	0.35 (9)	0.19 (4.8)	0.20 (5)
8	1.85 (47)	1.02 (26)	1.50 (38)	0.43 (11)	1.57 (40)	0.35 (9)	0.19 (4.8)	0.20 (5)
10	2.25 (57)	1.10 (28)	1.61 (41)	0.43 (11)	1.97 (50)	0.35 (9)	0.25 (6.3)	0.30 (7.5)
12	2.25 (57)	1.10 (28)	1.61 (41)	0.43 (11)	1.97 (50)	0.35 (9)	0.25 (6.3)	0.30 (7.5)

# SP61-C

UL Listed, File No. E244490

## Metallized Polypropylene Film A.C. Capacitors

Technical Specification	
Temperature Range	-40 to 70 °C
Rated Voltage	200 to 600 VAC
Dielectric Withstand Voltage	T - T: 1.75 x Rated Voltage T - C: 2000 VAC
Capacitance Tolerance	±5%; ±10%
Insulation Resistance	T - T: ≥3000 MΩ/μF T - C: ≥1000 MΩ
Dissipation Factor	Tan δ ≤ 0.2% (50 Hz)



### Outside Dimensions (mm)

SP61-C 280VAC						
μF	L	W	H	B	T	A
	Inches (mm)	Inches (mm)	Inches (mm)	Inches (mm)	Inches (mm)	Inches (mm)
4	1.50 (38)	0.71 (18)	1.10 (28)	0.43 (11)	1.18 (30)	3.94 (100)
6	1.46 (37)	0.55 (14)	1.02 (26)	0.43 (11)	1.18 (30)	3.94 (100)
8	1.50 (38)	0.71 (18)	1.10 (28)	0.43 (11)	1.18 (30)	3.94 (100)
10	1.46 (37)	0.78 (20)	1.22 (31)	0.43 (11)	1.18 (30)	3.94 (100)
12	1.85 (47)	0.85 (22)	1.34 (34)	0.43 (11)	1.57 (40)	3.94 (100)
15	1.85 (47)	1.02 (26)	1.50 (38)	0.43 (11)	1.57 (40)	3.94 (100)

SP61-C 370VAC						
μF	L	W	H	B	T	A
	Inches (mm)	Inches (mm)	Inches (mm)	Inches (mm)	Inches (mm)	Inches (mm)
2	1.50 (38)	0.71 (18)	1.10 (28)	0.43 (11)	1.18 (30)	3.94 (100)
3	1.46 (37)	0.78 (20)	1.22 (31)	0.43 (11)	1.18 (30)	3.94 (100)
4	1.46 (37)	0.78 (20)	1.22 (31)	0.43 (11)	1.18 (30)	3.94 (100)
6	1.85 (47)	0.85 (22)	1.34 (34)	0.43 (11)	1.57 (40)	3.94 (100)
8	1.85 (47)	0.85 (22)	1.34 (34)	0.43 (11)	1.57 (40)	3.94 (100)
10	1.85 (47)	1.02 (26)	1.50 (38)	0.43 (11)	1.57 (40)	3.94 (100)
15	2.25 (57)	1.10 (28)	1.61 (41)	0.43 (11)	1.97 (50)	3.94 (100)
20	2.25 (57)	1.18 (30)	1.73 (44)	0.43 (11)	1.97 (50)	3.94 (100)

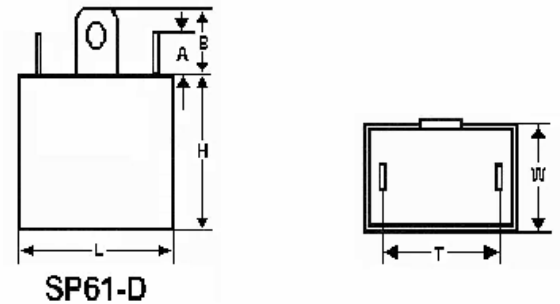
SP61-C 440VAC						
μF	L	W	H	B	T	A
	Inches (mm)	Inches (mm)	Inches (mm)	Inches (mm)	Inches (mm)	Inches (mm)
0.5	1.46 (37)	0.55 (14)	1.02 (26)	0.43 (11)	1.18 (30)	3.94 (100)
1	1.50 (38)	0.71 (18)	1.10 (28)	0.43 (11)	1.18 (30)	3.94 (100)
1.5	1.50 (38)	0.71 (18)	1.10 (28)	0.43 (11)	1.18 (30)	3.94 (100)
2	1.50 (38)	0.71 (18)	1.10 (28)	0.43 (11)	1.18 (30)	3.94 (100)
2.5	1.50 (38)	0.71 (18)	1.10 (28)	0.43 (11)	1.18 (30)	3.94 (100)
4	1.85 (47)	0.85 (22)	1.34 (34)	0.43 (11)	1.57 (40)	3.94 (100)
5	1.85 (47)	1.02 (26)	1.50 (38)	0.43 (11)	1.57 (40)	3.94 (100)
6	1.85 (47)	1.02 (26)	1.50 (38)	0.43 (11)	1.57 (40)	3.94 (100)
7	1.85 (47)	1.02 (26)	1.50 (38)	0.43 (11)	1.57 (40)	3.94 (100)
8	1.85 (47)	1.02 (26)	1.50 (38)	0.43 (11)	1.57 (40)	3.94 (100)
10	2.25 (57)	1.10 (28)	1.61 (41)	0.43 (11)	1.97 (50)	3.94 (100)
12	2.25 (57)	1.10 (28)	1.61 (41)	0.43 (11)	1.97 (50)	3.94 (100)

# SP61-D

UL Listed, File No. E244490

## Metallized Polypropylene Film A.C. Capacitors

Technical Specification	
Temperature Range	-40 to 70 °C
Rated Voltage	200 to 600 VAC
Dielectric Withstand Voltage	T - T: 1.75 x Rated Voltage T - C: 2000 VAC
Capacitance Tolerance	±5%; ±10%
Insulation Resistance	T - T: ≥3000 MΩ/μF T - C: ≥1000 MΩ
Dissipation Factor	Tan δ ≤ 0.2% (50 Hz)



### Outside Dimensions (mm)

SP61-D 280VAC						
μF	L	W	H	B	T	A
	Inches (mm)	Inches (mm)	Inches (mm)	Inches (mm)	Inches (mm)	Inches (mm)
8	1.50 (38)	0.78 (20)	1.18 (30)	0.59 (15)	1.18 (30)	0.35 (9)
15	2.00 (50.8)	0.98 (25)	1.42 (36)	0.59 (15)	1.18 (30)	0.35 (9)

SP61-D 370VAC						
μF	L	W	H	B	T	A
	Inches (mm)	Inches (mm)	Inches (mm)	Inches (mm)	Inches (mm)	Inches (mm)
4	1.50 (38)	0.78 (20)	1.18 (30)	0.59 (15)	1.18 (30)	0.35 (9)
25	2.28 (58)	1.42 (36)	1.97 (50)	0.59 (15)	1.18 (30)	0.35 (9)