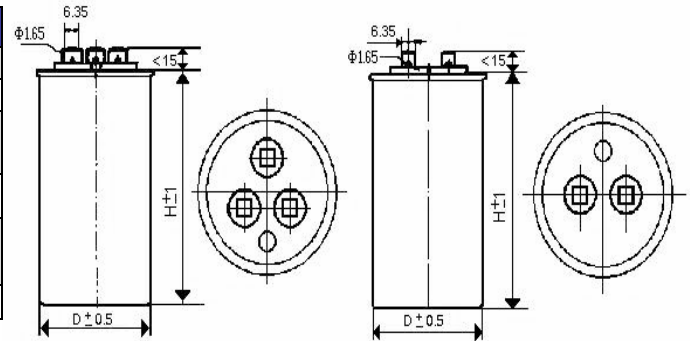


SP65A-1

UL Listed; File No. E243876

Motor Run Capacitors, Oil Filled, Round Case

Technical Specification	
Temperature Range	-40 to 70 °C
Rated Voltage	250 to 450 VAC
Dielectric Withstand Voltage	T - T: 1.75 x Rated Voltage T - C: 2000 VAC
Capacitance Tolerance	±5%; +10-5%; ±10%
Insulation Resistance	T - T: ≥3000 MΩ/μF T - C: ≥1000 MΩ
Dissipation Factor	Tan δ ≤ 0.2% (50 Hz)



Outside Dimensions (mm)

SP65A-1 240VAC		
μF	Diameter (D)	Height (H)
	Inches (mm)	Inches (mm)
10	1.57 (40)	2.17 (55)
15	1.57 (40)	2.17 (55)
20	1.57 (40)	2.56 (65)
25	1.57 (40)	2.76 (70)
30	1.57 (40)	2.95 (75)
35	1.77 (45)	2.95 (75)
40	1.77 (45)	3.15 (80)
45	1.77 (45)	3.15 (80)
50	1.77 (45)	3.54 (90)
60	1.77 (45)	3.94 (100)
70	1.97 (50)	3.94 (100)
25+1.5	1.97 (50)	2.76 (70)
30+1.5	1.97 (50)	3.15 (80)
35+1.5	1.97 (50)	3.15 (80)
40+1.5	1.97 (50)	3.35 (85)
50+1.5	1.97 (50)	3.54 (90)

SP65A-1 370VAC		
μF	Diameter (D)	Height (H)
	Inches (mm)	Inches (mm)
10	1.77 (45)	2.17 (55)
15	1.77 (45)	2.36 (60)
20	1.77 (45)	2.76 (70)
25	1.77 (45)	2.95 (75)
30	1.77 (45)	3.35 (85)
35	1.77 (45)	3.74 (95)
40	1.97 (50)	3.54 (90)
45	1.97 (50)	3.74 (95)
50	1.97 (50)	3.94 (100)
60	1.97 (50)	4.53 (115)
70	2.17 (55)	4.33 (110)
25+1.5	1.97 (50)	3.35 (85)
30+1.5	1.97 (50)	3.94 (100)
35+1.5	1.97 (50)	4.13 (105)
40+1.5	1.97 (50)	4.33 (110)
50+1.5	2.17 (55)	4.33 (110)

SP65A-1 440VAC		
μF	Diameter (D)	Height (H)
	Inches (mm)	Inches (mm)
10	1.77 (45)	2.17 (55)
15	1.77 (45)	2.56 (65)
20	1.77 (45)	2.95 (75)
25	1.77 (45)	3.54 (90)
30	1.77 (45)	3.94 (100)
35	1.97 (50)	3.54 (90)
40	1.97 (50)	3.94 (100)
45	1.97 (50)	4.33 (110)
50	1.97 (50)	4.72 (120)
60	1.97 (50)	5.12 (130)
70	2.17 (55)	5.12 (130)
25+1.5	1.97 (50)	3.54 (90)
30+1.5	1.97 (50)	3.94 (100)
35+1.5	1.97 (50)	4.33 (110)
40+1.5	1.97 (50)	4.72 (120)
50+1.5	2.17 (55)	4.52 (115)