

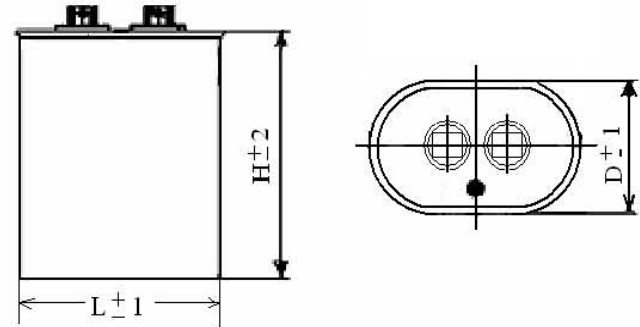
# SP66A-1T

UL Listed; File No. E243876

## HID Lighting Capacitors, Oil Filled, Oval Metal Case

### Technical Specification

Temperature Range	-40 to 70 °C, 85 °C, 100 °C
Rated Voltage	120 to 540 VAC
Dielectric Withstand Voltage	T - T: 1.75 x Rated Voltage T - C: 2000 VAC
Capacitance Range	3 to 100µ F
Capacitance Tolerance	±3%
Dissipation Factor	Tan δ ≤ 0.2% (100 Hz)



### Outside Dimensions (mm)

SP66A-1T 280VAC			
µF	Depth (D)	Length (L)	Height (H)
	Inches (mm)	Inches (mm)	Inches (mm)
3	1.24 (31.5)	2.17 (55)	2.03 (51.5)
5	1.24 (31.5)	2.17 (55)	2.03 (51.5)
7	1.24 (31.5)	2.17 (55)	2.03 (51.5)
8	1.24 (31.5)	2.56 (65)	2.03 (51.5)
10	1.24 (31.5)	2.56 (65)	2.03 (51.5)
12	1.24 (31.5)	2.95 (75)	2.07 (52.5)
14	1.48 (37.5)	2.56 (65)	2.60 (66)
18	1.48 (37.5)	2.56 (65)	2.60 (66)
20	1.77 (45)	2.56 (65)	2.76 (70)
35	1.77 (45)	3.35 (85)	2.76 (70)
48	1.77 (45)	3.94 (100)	2.76 (70)
55	1.77 (45)	3.94 (100)	2.76 (70)

SP66A-1T 400VAC			
µF	Depth (D)	Length (L)	Height (H)
	Inches (mm)	Inches (mm)	Inches (mm)
10	1.24 (31.5)	2.56 (65)	2.03 (51.5)
12	1.24 (31.5)	2.95 (75)	2.07 (52.5)
15	1.48 (37.5)	2.95 (75)	2.60 (66)
18	1.77 (45)	2.95 (75)	2.76 (70)
20	1.77 (45)	3.35 (85)	2.76 (70)
21	1.77 (45)	3.35 (85)	2.76 (70)
24	1.77 (45)	3.94 (100)	2.76 (70)

SP66A-1T 480VAC			
µF	Depth (D)	Length (L)	Height (H)
	Inches (mm)	Inches (mm)	Inches (mm)
10	1.24 (31.5)	2.95 (75)	2.07 (52.5)
12	1.48 (37.5)	2.95 (75)	2.60 (66)
15	1.77 (45)	2.95 (75)	2.76 (70)
18	1.77 (45)	3.35 (85)	2.76 (70)
19	1.77 (45)	3.35 (85)	2.76 (70)
20	1.77 (45)	3.94 (100)	2.76 (70)
21	1.77 (45)	3.94 (100)	2.76 (70)
24	1.77 (45)	3.94 (100)	2.76 (70)
30	1.77 (45)	4.92 (125)	2.76 (70)

SP66A-1T 330VAC			
µF	Depth (D)	Length (L)	Height (H)
	Inches (mm)	Inches (mm)	Inches (mm)
10	1.24 (31.5)	2.56 (65)	2.03 (51.5)
12	1.24 (31.5)	2.56 (65)	2.03 (51.5)
14	1.24 (31.5)	2.95 (75)	2.03 (51.5)
15	1.24 (31.5)	2.95 (75)	2.03 (51.5)
16	1.24 (31.5)	2.95 (75)	2.03 (51.5)
18	1.48 (37.5)	2.95 (75)	2.60 (66)
20	1.48 (37.5)	2.95 (75)	2.60 (66)
23	1.48 (37.5)	2.95 (75)	2.60 (66)
24	1.77 (45)	2.95 (75)	2.76 (70)
26	1.77 (45)	3.35 (85)	2.76 (70)
28	1.77 (45)	3.35 (85)	2.76 (70)
30	1.77 (45)	3.35 (85)	2.76 (70)
35	1.77 (45)	3.94 (100)	2.76 (70)
48	1.77 (45)	4.92 (125)	2.76 (70)
55	1.77 (45)	5.31 (135)	2.76 (70)

SP66A-1T 525VAC			
µF	Depth (D)	Length (L)	Height (H)
	Inches (mm)	Inches (mm)	Inches (mm)
16	1.77 (45)	3.94 (100)	2.76 (70)
24	1.77 (45)	4.92 (125)	2.76 (70)
26	1.77 (45)	4.92 (125)	2.76 (70)
32	1.89 (47.9)	3.94 (100)	3.54 (90)
36	1.89 (47.9)	3.94 (100)	3.54 (90)