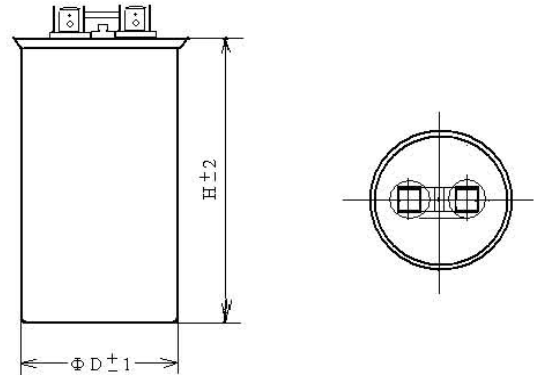


SP66A-1

HID/Lighting Capacitors, Oil Filled, Round Metal Case

Technical Specifications

Temperature Range	-40 to 70 °C, 85 °C, 100 °C
Rated Voltage	120 to 540 VAC
Dielectric Withstand Voltage	T - T: 1.75 x Rated Voltage T - C: 2000 VAC
Capacitance Range	3 to 100 μ F
Capacitance Tolerance	$\pm 3\%$
Dissipation Factor	$\text{Tan } \delta \leq 0.2\% (100 \text{ Hz})$



Outside Dimensions (mm)

SP66A-1 280VAC		
μ F	Diameter (D)	Height (H)
	Inches (mm)	Inches (mm)
3	1.57 (40)	2.17 (55)
5	1.57 (40)	2.17 (55)
7	1.57 (40)	2.17 (55)
8	1.57 (40)	2.17 (55)
10	1.57 (40)	2.17 (55)
12	1.57 (40)	2.56 (65)
14	1.57 (40)	2.56 (65)
18	1.77 (45)	2.56 (65)
20	1.77 (45)	2.56 (65)
35	1.77 (45)	3.35 (85)
48	1.77 (45)	3.94 (100)
55	1.97 (50)	3.94 (100)

SP66A-1 330VAC		
μ F	Diameter (D)	Height (H)
	Inches (mm)	Inches (mm)
10	1.57 (40)	2.56 (65)
12	1.57 (40)	2.95 (75)
14	1.57 (40)	2.95 (75)
15	1.57 (40)	2.95 (75)
16	1.77 (45)	2.56 (65)
18	1.77 (45)	2.95 (75)
20	1.77 (45)	2.95 (75)
23	1.77 (45)	3.35 (85)
24	1.77 (45)	3.35 (85)
26	1.77 (45)	3.35 (85)
28	1.77 (45)	3.94 (100)
30	1.97 (50)	3.94 (100)
35	1.97 (50)	3.94 (100)
48	1.97 (50)	4.92 (125)
55	1.97 (50)	4.92 (125)

SP66A-1 400VAC		
μ F	Diameter (D)	Height (H)
	Inches (mm)	Inches (mm)
10	1.77 (45)	2.56 (65)
12	1.77 (45)	2.95 (75)
15	1.77 (45)	2.95 (75)
18	1.77 (45)	3.35 (85)
20	1.77 (45)	3.94 (100)
21	1.77 (45)	3.94 (100)
24	1.77 (45)	3.94 (100)

SP66A-1 480VAC		
μ F	Diameter (H)	Diameter (H)
	Inches (mm)	Inches (mm)
10	1.77 (45)	2.95 (75)
12	1.77 (45)	3.35 (85)
15	1.77 (45)	3.35 (85)
18	1.77 (45)	3.45 (100)
19	1.77 (45)	3.94 (100)
20	1.77 (45)	3.94 (100)
21	1.77 (45)	3.94 (100)
24	1.97 (50)	3.94 (100)
30	1.97 (50)	4.95 (125)

SP66A-1 525VAC		
μ F	Diameter (H)	Height (H)
	Inches (mm)	Inches (mm)
16	1.77 (45)	3.94 (100)
24	1.97 (50)	4.95 (125)
26	1.97 (50)	4.95 (125)
32	2.17 (55)	4.95 (125)
36	2.17 (55)	5.31 (135)